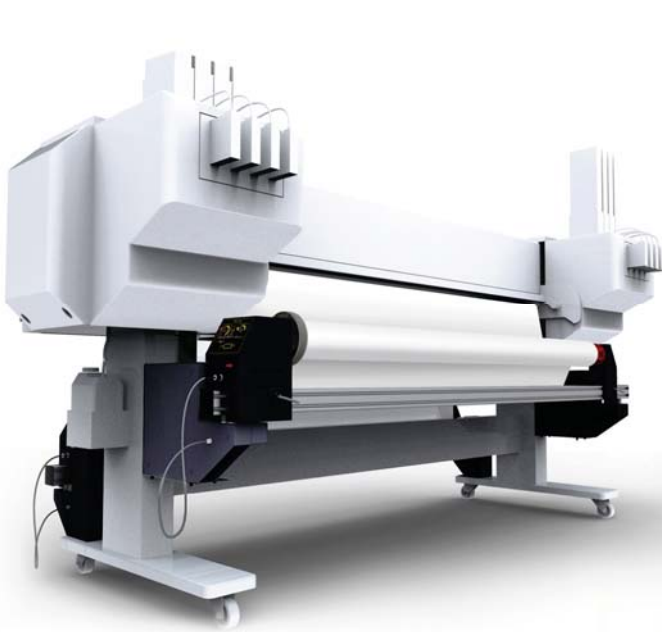


Double the Performance of Your Printer

with TAKE-UP | FEEDING | DRYING System



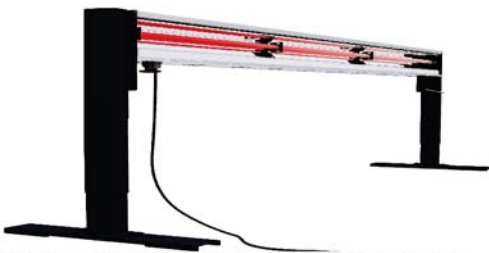
Drying System (Built-in type)



Air Knife

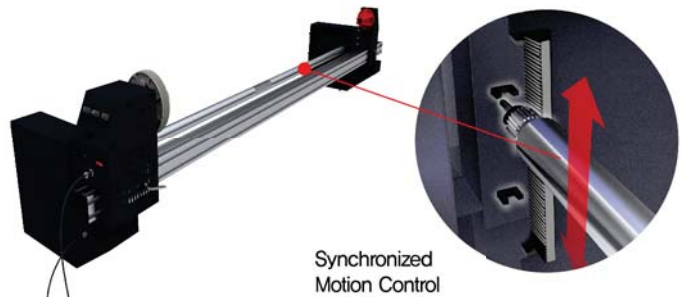
- With a built-in type, it increases space effectiveness to push a dryer body inside when not required.
- Air Knife : It prevents hot air from contacting a printhead.

Drying System (Self-standing type)



- It is free to stand by itself on the front of any printer by adjusting a dryer body and height to fit to all directions of printing output.

Synchronized Motion Control Take-up Feeding System



Synchronized Motion Control

- With a synchronized motion control unit (tension roller), it provides a consistent tension for feeding and rewinding even textile media during a whole printing job.
- Both inward & outward rewinding (feeding) available.
- Its entire position is perfectly even with a printer's body.

Automated Take Up System



- Self standing and built-in type available.
- Auto stop function when a printer does not work.
- Automatically increase a rewinding tension by different thickness (weight) of media after initial setting-up.